

POWDER BOOTHS

NON-RECOVERY | RECOVERY | COLLECTION MODULES | HIGH PRODUCTION



GLOBAL
FINISHING
SOLUTIONS

POWDER NON-RECOVERY **BOOTHS**

Powder Non-Recovery Booths from Global Finishing Solutions® (GFS) are cost-effective finishing environments for small batch powder applications. Featuring a primary and redundant filtration system, GFS Powder Non-Recovery Booths capture high volumes of powder overspray. The open-front design saves floor space and allows for easy transportation in and out of the booth.

BOOTH FEATURES:

- 18-gauge galvanized steel panels
- Smooth interior for easy maintenance
- Primary filtration system with full set of filters, grids and manometer for filter maintenance
- MERV 14-rated redundant filters
- High-performance, direct-drive plug fan with TEFC motor
- Four-tube, T8 fluorescent light fixture(s)
- Designed to comply with all federal, NFPA and OSHA regulations

OPTIONS:

- Pre-coated white panels
- Additional sidewall or ceiling light fixtures
- T8 LED lamps
- HEPA filters
- Electromechanical control panel



PRIMARY FILTERS
GFS Wave® Roll Filter | Panel Filter



REDUNDANT FILTERS
MERV 14 rated

POWDER NON-RECOVERY **BOOTH MODELS**

Standard Model No.	Inside Dimensions			Outside Dimensions			Fan Clear Height	Light Qty	Min. CFM @ 1.5" s.p.	Wheel Diameter	Motor HP
	Width	Height	Depth	Width	Height	Depth					
8' Wide Booths											
PNRG 080806	8'	8'	6'	8' 4"	8' 2"	10' 2"	12' 2"	1	6,400	25"	3
PNRG 080809	8'	8'	9'	8' 4"	8' 2"	13' 2"	12' 2"	1	6,400	25"	3
PNRG 080812	8'	8'	12'	8' 4"	8' 2"	16' 2"	12' 2"	2	6,400	25"	3
PNRG 081006	8'	10'	6'	8' 4"	10' 2"	10' 2"	14' 2"	1	8,000	25"	3
PNRG 081009	8'	10'	9'	8' 4"	10' 2"	13' 2"	14' 2"	1	8,000	25"	3
PNRG 081012	8'	10'	12'	8' 4"	10' 2"	16' 2"	14' 2"	2	8,000	25"	3
10' Wide Booths											
PNRG 100806	10'	8'	6'	10' 4"	8' 2"	10' 2"	12' 2"	2	8,000	25"	3
PNRG 100809	10'	8'	9'	10' 4"	8' 2"	13' 2"	12' 2"	2	8,000	25"	3
PNRG 100812	10'	8'	12'	10' 4"	8' 2"	16' 2"	12' 2"	4	8,000	25"	3
PNRG 101006	10'	10'	6'	10' 4"	10' 2"	10' 2"	14' 11"	2	10,000	28"	5
PNRG 101009	10'	10'	9'	10' 4"	10' 2"	13' 2"	14' 11"	2	10,000	28"	5
PNRG 101012	10'	10'	12'	10' 4"	10' 2"	16' 2"	14' 11"	4	10,000	28"	5
12' Wide Booths											
PNRG 120806	12'	8'	6'	12' 4"	8' 10"	10' 2"	12' 11"	2	9,600	28"	3
PNRG 120809	12'	8'	9'	12' 4"	8' 10"	13' 2"	12' 11"	2	9,600	28"	3
PNRG 120812	12'	8'	12'	12' 4"	8' 10"	16' 2"	12' 11"	4	9,600	28"	3
PNRG 121006	12'	10'	6'	12' 4"	10' 10"	10' 2"	14' 11"	2	12,000	28"	5
PNRG 121009	12'	10'	9'	12' 4"	10' 10"	13' 2"	14' 11"	2	12,000	28"	5
PNRG 121012	12'	10'	12'	12' 4"	10' 10"	16' 2"	14' 11"	4	12,000	28"	5
14' Wide Booths											
PNRG 140806	14'	8'	6'	14' 4"	8' 10"	10' 2"	12' 11"	2	11,200	28"	5
PNRG 140809	14'	8'	9'	14' 4"	8' 10"	13' 2"	12' 11"	2	11,200	28"	5
PNRG 140812	14'	8'	12'	14' 4"	8' 10"	16' 2"	12' 11"	4	11,200	28"	5
PNRG 141006	14'	10'	6'	14' 4"	10' 10"	10' 2"	15' 4"	2	14,000	35"	5
PNRG 141009	14'	10'	9'	14' 4"	10' 10"	13' 2"	15' 4"	2	14,000	35"	5
PNRG 141012	14'	10'	12'	14' 4"	10' 10"	16' 2"	15' 4"	4	14,000	35"	5
16' Wide Booths											
PNRG 160806	16'	8'	6'	16' 4"	8' 10"	10' 2"	12' 11"	2	12,800	28"	5
PNRG 160809	16'	8'	9'	16' 4"	8' 10"	13' 2"	12' 11"	2	12,800	28"	5
PNRG 160812	16'	8'	12'	16' 4"	8' 10"	16' 2"	12' 11"	4	12,800	28"	5
PNRG 161006	16'	10'	6'	16' 4"	10' 10"	10' 2"	15' 4"	2	16,000	35"	7.5
PNRG 161009	16'	10'	9'	16' 4"	10' 10"	13' 2"	15' 4"	2	16,000	35"	7.5
PNRG 161012	16'	10'	12'	16' 4"	10' 10"	16' 2"	15' 4"	4	16,000	35"	7.5
18' Wide Booths											
PNRG 180806	18'	8'	6'	18' 4"	8' 10"	10' 2"	13' 4"	3	14,400	35"	7.5
PNRG 180809	18'	8'	9'	18' 4"	8' 10"	13' 2"	13' 4"	3	14,400	35"	7.5
PNRG 180812	18'	8'	12'	18' 4"	8' 10"	16' 2"	13' 4"	6	14,400	35"	7.5
PNRG 181006	18'	10'	6'	18' 4"	10' 10"	10' 2"	15' 4"	3	18,000	35"	7.5
PNRG 181009	18'	10'	9'	18' 4"	10' 10"	13' 2"	15' 4"	3	18,000	35"	7.5
PNRG 181012	18'	10'	12'	18' 4"	10' 10"	16' 2"	15' 4"	6	18,000	35"	7.5
20' Wide Booths											
PNRG 200806	20'	8'	6'	20' 4"	8' 10"	10' 2"	13' 4"	4	16,000	35"	7.5
PNRG 200809	20'	8'	9'	20' 4"	8' 10"	13' 2"	13' 4"	4	16,000	35"	7.5
PNRG 200812	20'	8'	12'	20' 4"	8' 10"	16' 2"	13' 4"	8	16,000	35"	7.5
PNRG 201006	20'	10'	6'	20' 4"	10' 10"	10' 2"	15' 4"	4	20,000	35"	7.5
PNRG 201009	20'	10'	9'	20' 4"	10' 10"	13' 2"	15' 4"	4	20,000	35"	7.5
PNRG 201012	20'	10'	12'	20' 4"	10' 10"	16' 2"	15' 4"	8	20,000	35"	7.5

POWDER RECOVERY BOOTHS

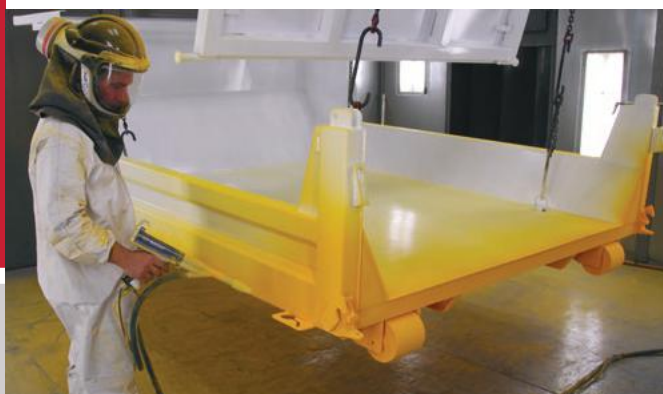
Ideal for small- to medium-sized batch powder applications, Powder Recovery Booths from Global Finishing Solutions (GFS) provide a bright, efficient finishing environment for powder coating operations. An integrated Powder Collection Module in GFS Powder Recovery Booths features high-efficiency cartridge filters for capturing powder overspray, and a load-triggered filter pulsing system, which cleans filters for a longer life span.

BOOTH FEATURES:

- 18-gauge galvanized steel panels
- Smooth interior for easy maintenance
- Powder Collection Module(s) with:
 - High-efficiency, MERV 12-rated cartridge filters
 - MERV 13-rated redundant filters
- High-performance, direct-drive plug fan with TEFC motor
- Rear or top exhaust orientation
- Four-tube, T8 fluorescent light fixture(s)
- Designed to comply with all federal, NFPA and OSHA regulations

OPTIONS:

- Pre-coated white panels
- Additional sidewall or ceiling light fixtures
- T8 LED lamps
- HEPA filters
- Electromechanical control panel
- Fluidized bed or collection drawers



Custom Powder Recovery Booth with hip and sidewall lights

POWDER RECOVERY **BOOTH MODELS**

Standard Model No.	Inside Dimension			Outside Dimension Top Discharge			Outside Dimension Rear Discharge			Light Qty.	Collector Size	Collector Qty.
	Width	Height	Depth	Width	Height	Depth	Width	Height	Depth			
6' Wide Booths												
PRBG-060806	6'	8'	6'	6' 4"	10' 5"	9' 6"	6' 4"	8' 4"	11' 6"	1	6,000	1
PRBG-060809	6'	8'	9'	6' 4"	10' 5"	12' 6"	6' 4"	8' 4"	14' 6"	1	6,000	1
PRBG-060812	6'	8'	12'	6' 4"	10' 5"	15' 6"	6' 4"	8' 4"	17' 6"	2	6,000	1
PRBG-061006	6'	10'	6'	6' 4"	10' 5"	9' 6"	6' 4"	10' 2"	11' 6"	1	6,000	1
PRBG-061009	6'	10'	9'	6' 4"	10' 5"	12' 6"	6' 4"	10' 2"	14' 6"	1	6,000	1
PRBG-061012	6'	10'	12'	6' 4"	10' 5"	15' 6"	6' 4"	10' 2"	17' 6"	2	6,000	1
8' Wide Booths												
PRBG-080806	8'	8'	6'	8' 4"	10' 5"	9' 6"	8' 4"	8' 4"	11' 8"	1	8,000	1
PRBG-080809	8'	8'	9'	8' 4"	10' 5"	12' 6"	8' 4"	8' 4"	14' 8"	1	8,000	1
PRBG-080812	8'	8'	12'	8' 4"	10' 5"	15' 6"	8' 4"	8' 4"	17' 8"	2	8,000	1
PRBG-081006	8'	10'	6'	8' 4"	10' 5"	9' 6"	8' 4"	10' 2"	11' 8"	1	8,000	1
PRBG-081009	8'	10'	9'	8' 4"	10' 5"	12' 6"	8' 4"	10' 2"	14' 8"	1	8,000	1
PRBG-081012	8'	10'	12'	8' 4"	10' 5"	15' 6"	8' 4"	10' 2"	17' 8"	2	8,000	1
10' Wide Booths												
PRBG-100806	10'	8'	6'	10' 4"	10' 5"	9' 6"	10' 4"	8' 4"	11' 8"	2	10,000	1
PRBG-100809	10'	8'	9'	10' 4"	10' 5"	12' 6"	10' 4"	8' 4"	14' 8"	2	10,000	1
PRBG-100812	10'	8'	12'	10' 4"	10' 5"	15' 6"	10' 4"	8' 4"	17' 8"	4	10,000	1
PRBG-101006	10'	10'	6'	10' 4"	10' 5"	9' 6"	10' 4"	10' 2"	11' 8"	2	10,000	1
PRBG-101009	10'	10'	9'	10' 4"	10' 5"	12' 6"	10' 4"	10' 2"	14' 8"	2	10,000	1
PRBG-101012	10'	10'	12'	10' 4"	10' 5"	15' 6"	10' 4"	10' 2"	17' 8"	4	10,000	1
12' Wide Booths												
PRBG-120806	12'	8'	6'	12' 4"	10' 5"	9' 6"	12' 4"	8' 10"	11' 8"	2	12,000	1
PRBG-120809	12'	8'	9'	12' 4"	10' 5"	12' 6"	12' 4"	8' 10"	14' 8"	2	12,000	1
PRBG-120812	12'	8'	12'	12' 4"	10' 5"	15' 6"	12' 4"	8' 10"	17' 8"	4	12,000	1
PRBG-121006	12'	10'	6'	12' 4"	10' 10"	9' 6"	12' 4"	10' 10"	11' 8"	2	12,000	1
PRBG-121009	12'	10'	9'	12' 4"	10' 10"	12' 6"	12' 4"	10' 10"	14' 8"	2	12,000	1
PRBG-121012	12'	10'	12'	12' 4"	10' 10"	15' 6"	12' 4"	10' 10"	17' 8"	4	12,000	1
14' Wide Booths												
PRBG-140806	14'	8'	6'	14' 4"	10' 5"	9' 6"	14' 4"	8' 10"	11' 6"	2	12,000	1
PRBG-140809	14'	8'	9'	14' 4"	10' 5"	12' 6"	14' 4"	8' 10"	14' 6"	2	12,000	1
PRBG-140812	14'	8'	12'	14' 4"	10' 5"	15' 6"	14' 4"	8' 10"	17' 6"	4	12,000	1
PRBG-141006	14'	10'	6'	14' 4"	10' 10"	9' 6"	14' 4"	10' 10"	11' 8"	2	8,000	2
PRBG-141009	14'	10'	9'	14' 4"	10' 10"	12' 6"	14' 4"	10' 10"	14' 8"	2	8,000	2
PRBG-141012	14'	10'	12'	14' 4"	10' 10"	15' 6"	14' 4"	10' 10"	17' 8"	4	8,000	2
16' Wide Booths												
PRBG-160806	16'	8'	6'	16' 4"	10' 5"	9' 6"	16' 4"	8' 10"	11' 8"	2	8,000	2
PRBG-160809	16'	8'	9'	16' 4"	10' 5"	12' 6"	16' 4"	8' 10"	14' 8"	2	8,000	2
PRBG-160812	16'	8'	12'	16' 4"	10' 5"	15' 6"	16' 4"	8' 10"	17' 8"	4	8,000	2
PRBG-161006	16'	10'	6'	16' 4"	10' 10"	9' 6"	16' 4"	10' 10"	11' 8"	2	8,000	2
PRBG-161009	16'	10'	9'	16' 4"	10' 10"	12' 6"	16' 4"	10' 10"	14' 8"	2	8,000	2
PRBG-161012	16'	10'	12'	16' 4"	10' 10"	15' 6"	16' 4"	10' 10"	17' 8"	4	8,000	2
18' Wide Booths												
PRBG-180806	18'	8'	6'	18' 4"	10' 5"	9' 6"	18' 4"	8' 10"	11' 8"	3	8,000	2
PRBG-180809	18'	8'	9'	18' 4"	10' 5"	12' 6"	18' 4"	8' 10"	14' 8"	3	8,000	2
PRBG-180812	18'	8'	12'	18' 4"	10' 5"	15' 6"	18' 4"	8' 10"	17' 8"	6	8,000	2
PRBG-181006	18'	10'	6'	18' 4"	10' 10"	9' 6"	18' 4"	10' 10"	11' 8"	3	10,000	2
PRBG-181009	18'	10'	9'	18' 4"	10' 10"	12' 6"	18' 4"	10' 10"	14' 8"	3	10,000	2
PRBG-181012	18'	10'	12'	18' 4"	10' 10"	15' 6"	18' 4"	10' 10"	17' 8"	6	10,000	2
20' Wide Booths												
PRBG-200806	20'	8'	6'	20' 4"	10' 5"	9' 6"	20' 4"	8' 10"	11' 8"	4	10,000	2
PRBG-200809	20'	8'	9'	20' 4"	10' 5"	12' 6"	20' 4"	8' 10"	14' 8"	4	10,000	2
PRBG-200812	20'	8'	12'	20' 4"	10' 5"	15' 6"	20' 4"	8' 10"	17' 8"	8	10,000	2
PRBG-201006	20'	10'	6'	20' 4"	10' 10"	9' 6"	20' 4"	10' 10"	11' 8"	4	10,000	2
PRBG-201009	20'	10'	9'	20' 4"	10' 10"	12' 6"	20' 4"	10' 10"	14' 8"	4	10,000	2
PRBG-201012	20'	10'	12'	20' 4"	10' 10"	15' 6"	20' 4"	10' 10"	17' 8"	8	10,000	2

POWDER COLLECTION MODULES

With high-efficiency filtration, fan and motor, the GFS Powder Collection Module delivers superior performance for your powder coating application. The space-saving design features cartridge filters staggered in two rows, reducing the overall width of the module. With models available in four CFM ranges and two exhaust orientations, the complete line of Powder Collection Modules accommodates various production levels and shop space restrictions. Modules can be sold separately or integrated into a GFS Powder Recovery Booth.

MODULE FEATURES:

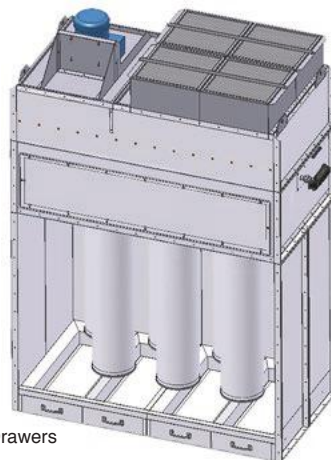
- 18-gauge galvanized steel panels
- High-efficiency, MERV 12-rated cartridge filters
- MERV 13-rated redundant filters
- Unique twist-lock filter loading mechanism for easy filter changes
- Adjustable load-triggered filter pulsing for increased life span
- High-performance, direct-drive plug fan with TEFC motor
- Top or rear exhaust orientation
- Integrated pulse timer board
- Designed to comply with all federal, NFPA and OSHA regulations

OPTIONS:

- Pre-coated white panels
- HEPA filters
- Fluidized bed or collection drawers for easy cleanup and powder recovery

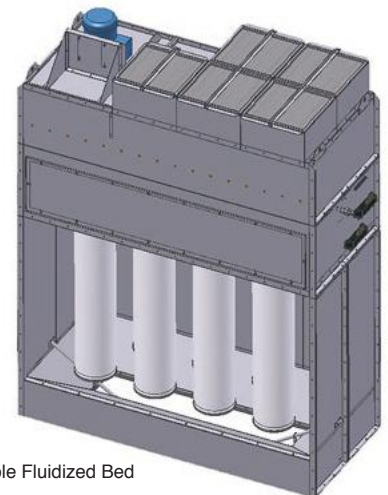


8,000 CFM Module
with optional HEPA filtration



Sample Collection Drawers

10,000 CFM Module
with optional HEPA filtration



Sample Fluidized Bed

Standard Modules	Exhaust Orientation						HP	Number of Filters	
	Top Discharge			Rear Discharge				Final (MERV 13)	Cartridge (MERV 12)
	Width	Height	Depth	Width	Height	Depth			
6,000 CFM	6' 4"	10' 5 1/2"	3' 9"	5' 4"	8' 4 1/4"	5' 5 5/16"	7.5	3	5
8,000 CFM	6' 4"	10' 3 1/2"	3' 9"	5' 4"	8' 4 1/4"	5' 7 9/16"	7.5	4	6
10,000 CFM	8' 4"	10' 5"	3' 9"	6' 4"	8' 4 1/4"	5' 8 3/4"	10	5	7
12,000 CFM	11' 4"	10' 5 1/2"	3' 9"	6' 4"	8' 4 1/4"	5' 5 5/16"	(2) 7.5	6	8

HIGH-PRODUCTION POWDER BOOTHS

Often used in conveyorized powder application systems, High-Production Powder Booths from Global Finishing Solutions (GFS) are designed to increase your productivity, product quality and profitability. With modular designs engineered for optimum airflow and maximum transfer efficiency, GFS High-Production Powder Booths are ideal for mass production powder coating applications.

BOOTH FEATURES:

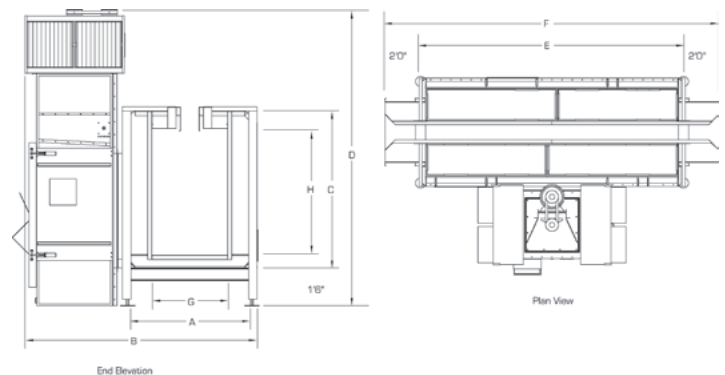
- 18-gauge stainless steel panels for exceptionally long life
- Smooth, tapered inside surfaces for easy cleaning
- Standard, 2-foot-long entrance and exit vestibules
- Transparent, polycarbonate ceiling for brighter application environment
- Adjustable height leveling
- Overhead filtration with lightweight, removable filter modules
- Independent, self-cleaning powder collection module(s):
 - High-efficiency cartridge filters and redundant filters
 - Air solenoid valve for filter maintenance
 - Fluidized bed
 - Integral powder fill hopper
 - Casters for easy maneuvering during color changes
- Deluxe control panel with photohelic pressure gauge that monitors pressure drop and initiates pulse-jet filter cleaning
- Designed to comply with all federal, NFPA and OSHA regulations



Custom designed booth openings such as operator shields and touch-up windows create a safe and efficient working environment.

OPTIONS:

- Booth openings
- Central air manifold with required regulators
- Two-speed fan control with operating and cleaning modes
- Roll on/off track system
- Flame detection system
- Fluorescent lighting



Model No.	Inside Dimensions			Overall Dimensions			Conveyor Openings		Auto. Gun Slots		Operator Windows			Collector Module			
	Width A	Height C	Length E	Width B	Height D	Length F	Width G	Height H	Qty	Height	Qty	Width	Height	CFM	Fan Size	Fan HP	Filter Qty
HPCB 2436	4' 0"	5' 0"	14' 6"	8' 9"	11' 5"	18' 6"	2' 0"	3' 0"	2	3' 0"	2	2' 6"	3' 0"	4,000	18"	5	6
HPCB 2448	4' 0"	6' 0"	14' 6"	8' 9"	11' 5"	18' 6"	2' 0"	4' 0"	2	4' 0"	2	2' 6"	4' 0"	5,000	18"	7.5	8
HPCB 3060	5' 0"	7' 0"	16' 6"	9' 9"	11' 5"	20' 6"	2' 6"	5' 0"	2	4' 0"	2	2' 6"	4' 0"	6,000	20"	7.5	10
HPCB 3660	5' 0"	7' 0"	16' 6"	9' 9"	11' 5"	20' 6"	3' 0"	5' 0"	2	5' 0"	2	2' 6"	5' 0"	7,000	22"	10	10
HPCB 3672	5' 0"	8' 0"	18' 6"	9' 9"	11' 5"	22' 6"	3' 0"	6' 0"	2	5' 0"	2	2' 6"	5' 0"	8,000	22"	10	12
HPCB 4872	6' 0"	8' 0"	18' 6"	10' 9"	11' 5"	22' 6"	4' 0"	6' 0"	2	5' 0"	2	2' 6"	5' 0"	9,000	22"	15	12

GLOBALFINISHING.COM

800-848-8738 • info@globalfinishing.com

© 2018 Global Finishing Solutions®. All Rights Reserved. • rev.10092018

