



DUX Pressure Feed Gun

INSPIRED BY FORMULA THREE RACE CAR ENGINES.

After more than 5 years of research and development, DUX has reinvented the spray gun from the inside out. By incorporating our patented airflow technology, originally used in Formula Three race car engines, we've developed the most innovative breakthrough in spray gun technology in nearly 80 years.

For the first time, operators can spray nearly any type of fluid, onto nearly any surface with a single gun – while reducing coatings usage and improving finish quality.

IT PRACTICALLY PAYS FOR ITSELF AFTER JUST ONE JOB.

With transfer efficiency improvements of at least 15-40% over HVLP and other leading spray technologies, the DUX Pressure Feed spray gun simply saves you money. In fact, the coatings savings are so significant the gun often pays for itself in the first month of use. The spray gun uses DUX's patented airflow technology to reduce booth fog and blowback from the target – the two leading causes of coating waste. When more material reaches the target, less is released into the air and trapped in booth air filters and on disposable masking materials. In turn, this reduces your consumables costs and hazardous waste disposal fees. In fact, the DUX gun's precision application reduces the need for masking in the first place, substantially decreasing preparation labor costs.

What's more, DUX's superior atomization technology enhances finish quality, thereby increasing your competitive advantage – while delivering a better product for your customers.

TECHNOLOGY THAT'S EASY TO USE AND EASY ON US.

Most pressure feed spray guns incorporate a front-heavy body design with fluid hose connections near the tip of the gun. Over the course of a long work day, the extra weight causes arm fatigue and uneven spray patterns that impact finish quality. The DUX gun, however, is designed with much shorter air passages, an upright handle, and fluid and air connections located at the base of the gun. This creates a lighter, more compact and balanced gun that's easier to maneuver in small spaces.

As previously mentioned, lower operating pressures result in massive reductions in unhealthy paint booth fog and overspray. This drastically improves the work environment by eliminating paint build up on operators' skin and clothing, and floors are no longer coated with a slippery film of wasted material. The way we see it, clearer air isn't just a regulatory mandate, it's the responsible thing to do for your employees and our environment.

IMMEDIATE ROI

- > Reduced coating usage
- > Decreased cleanup costs
- > Faster production times
- > Energy savings

EASY TO USE

- > Ergonomic design
- > Lightweight and balanced
- > Reduced booth fog and overspray

AIR QUALITY COMPLIANCE

- > Drastic reductions in VOC emissions
- > Reduced HazMat clean-up & disposal
- > AQMD compliant by definition

ADVANCED TECHNOLOGY

- > Laminar airflow
- > Low pressure with high velocity
- > Exceptional atomization
- > Outstanding utility across coatings and applications

THE DESIGN ISN'T IT'S ONLY STUNNING FEATURE.

See for yourself. Compare the DUX spray gun to any other spray equipment on the market. You'll find that most competing technologies incorporate angular twists and turns within the air passage, along with long travel distance between the air inlet and air cap. As a result, longer distances and more restrictive air passages create friction and severe air turbulence. Bottom line — it's hard to control and shape air at the air cap when it's out of control inside the gun.

With the DUX spray gun, you'll never have that problem. It is designed with smooth sweeping air passages, fewer obstructions, and shorter distance between the inlet and air cap. The result is minimal air pressure loss through the spray gun and extremely organized and controllable airflow.

ORDERING INFORMATION

Selection of the proper fluid tip and air cap for your particular application depends on many factors. Please contact your DUX Distributor or DUX Customer Service for recommended configurations and set-up parameters.

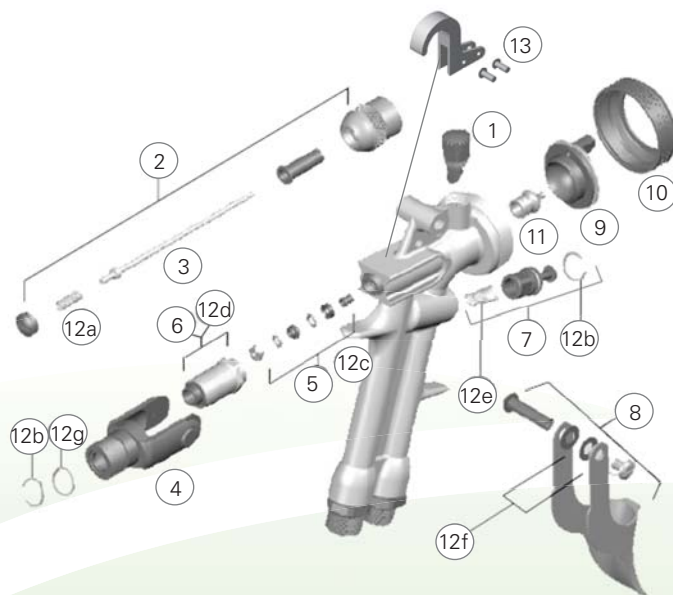
DUX PRESSURE FEED SPECIFICATIONS

BODY MATERIAL	Investment Cast Aluminum
FLUID PASSAGE MATERIAL	Stainless Steel
AIR CAP MATERIAL	Anodized Aluminum
WEIGHT	14.1 oz.
MAXIMUM ATOMIZING AIR INLET PRESSURE*	AO Air Cap: 10.5 psig A1 Air Cap: 10.7 psig A2 Air Cap: 11.0 psig
MAXIMUM FLUID INLET PRESSURE	75 psig
AIR INLET	1/4" NPS Male
FLUID INLET	3/8" NPS Male
TRIGGER PRESSURE	39.8 oz.
AIR CONSUMPTION (at 10 psi)	AO Air Cap: 8.9 scfm A1 Air Cap: 10.2 scfm A2 Air Cap: 11.0 scfm
MAX. USABLE FAN PATTERN (at 9" from target)	14-16"

* Maximum inlet pressure to maintain HVLP compliance (10 psi or less at the air cap)

AIR CAPS	FLUID TIP SIZE								
	0.6mm	0.8mm	1.0mm	1.2mm	1.4mm	1.6mm	1.8mm	2.0mm	2.2mm
GENERAL PURPOSE (A1) AIR CAP	P1100-06	P1100-08	P1100-10	P1100-12	P1100-14	P1100-16	P1100-18	P1100-20	P1100-22
LOW SOLIDS (A0) AIR CAP	P1000-06	P1000-08	P1000-10	P1000-12	P1000-14	P1000-16	P1000-18	P1000-20	P1000-22
HIGH SOLIDS (A2) AIR CAP	P1200-06	P1200-08	P1200-10	P1200-12	P1200-14	P1200-16	P1200-18	P1200-20	P1200-22

DUX Pressure Feed Spray Gun



No.	Part	Description	No.	Part	Description
1.	310110	Fan Control Assembly	12.	310171	Wearable Parts Kit
2.	310116	Fluid Control Assembly			Includes:
3.	310118	Standard Fluid Needle	12a.		(1) Needle Spring
4.	310125	Yoke	12b.		(1) Trigger Air Valve C-Clip
5.	310128	Fluid Packing Kit	12c.		(1) Needle Packing Kit
6.	310126	Yoke Spring Assembly	12d.		(1) Yoke Spring Assembly
7.	310159	Air Valve Trigger Kit	12e.		(1) Trigger Spring
8.	310131	Trigger Kit	12f.		(2) Washers
9.	310150	A1 Air Cap General Purpose (Aluminum)	12g.		(1) Fluid Control O-ring
	310151	A1 Air Cap General Purpose (Stainless Steel)		310160	Fluid Control O-ring 5-Pack
	310149	A0 Air Cap Low Solids (Aluminum)	13.	310239	Hook Kit
	310227	A2 Air Cap High Solids (Aluminum)			Accessories
	310230	A1T Air Cap Tester		310193	Air/Fluid Hose
	310233	AOT Air Cap Tester		310207	6" Fluid Hose Extension 3/8"
	310232	A2T Air Cap Tester		310208	6" Air Hose Extension 1/4"
10.	310156	Air Cap Ring		310225	12" Fluid Hose Extension 3/8"
11.	310237	Fluid Tip 0.4mm		310226	12" Air Hose Extension 1/4"
	310250	Fluid Tip 0.6mm		310228	18" Fluid Hose Extension 3/8"
	310251	Fluid Tip 0.8mm		310229	18" Air Hose Extension 1/4"
	310252	Fluid Tip 1.0mm		310174	DUX 10mm Fluid Tip Driver
	310253	Fluid Tip 1.2mm		310205	Spray Gun Lube (8 oz)
	310254	Fluid Tip 1.4mm		310206	Spray Gun Lube (2 oz)
	310255	Fluid Tip 1.6mm		310173	DUX Packing Tool
	310256	Fluid Tip 1.8mm		310309	DUX Multi-Tool Wrench
	310257	Fluid Tip 2.0mm		310187	2 Quart Pressure Pot
	310258	Fluid Tip 2.2mm		310184	2.5 Gallon Pressure Pot
				310177	5 Gallon Pressure Pot
				310175	Exterior Cleaning Brush
				310176	Fluid Tube Cleaning Brush



advanced research environmental atomization

3325 South 116th Street, Suite 161 | Seattle, WA 98168 1974 USA | tel 888 DUX AREA (888 389 2732) fax 866 876 1233 | www.duxarea.com

The design and technology forming the basis of this product is the confidential information of DUX AREA Inc., a Washington corporation. The relevant US Patent Numbers are: US 6,793,157; US 6,425,533, and U.S. 7,004,404. DUX AREA Inc. may have additional patents, patent applications, trademarks, copyrights, or other intellectual property rights covering subject matter in this document. Except as expressly provided in any written license agreement from DUX AREA Inc., this document does not grant you any license to or rights in any such patents, trademarks, copyrights, or other intellectual property.

DUX, DUX Area, DUX Gravity Feed, DUX Pressure Feed, DUX Automatic are either registered trademarks or trademarks of DUX AREA Inc. in the United States and/or other countries.

© 2006 DUX AREA Inc. All rights reserved. Printed in the United States of America

Rev. 2 Part# 510036