

Encore[®] Cup Gun Kit

Description

The Encore Cup Gun Kit is designed to be used with an Encore Manual Powder Spray Gun. It plugs into the bottom of the gun handle in place of the powder hose adapter, and allows the user to spray small amounts of powder for demonstration and testing purposes. It can also be used for small batch and quick color change production.

Spare cups with solid lids can be ordered to hold other powder types and colors. To change powders, disconnect the gun adapter from the gun, then blow out the gun's powder path. Unscrew the cup from the lid, blow off the lid and pickup tube, blow out the pump, then install a cup containing the new powder onto the lid and plug the gun adapter back into the gun.

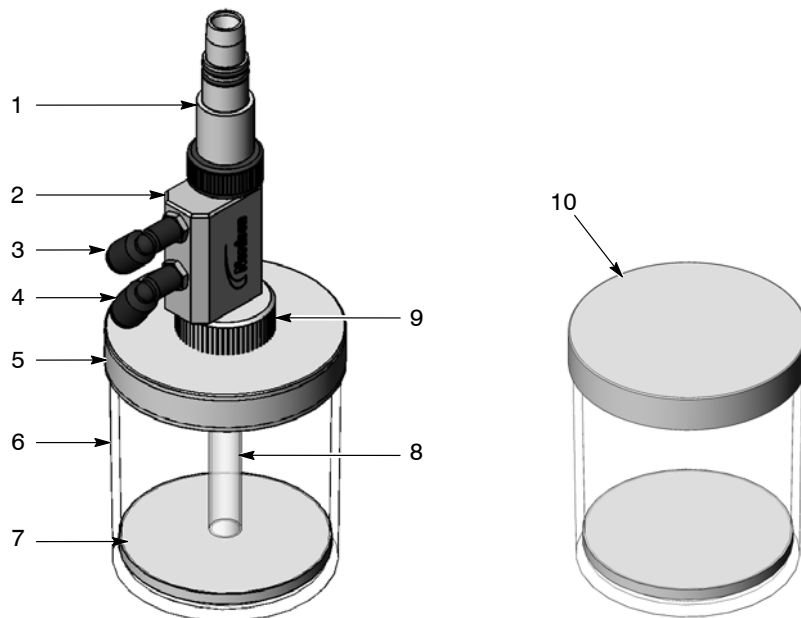


Figure 1 Cup Gun Kit Components

- | | |
|--------------------------|------------------------------|
| 1. Gun adapter | 6. Cup |
| 2. Pump | 7. Fluidizing plate |
| 3. Atomizing air fitting | 8. Pickup tube |
| 4. Flow-rate air fitting | 9. Pump adapter |
| 5. Kit lid | 10. Spare cup with solid lid |

Maintenance



CAUTION: Do not scrape impact-fused powder off the pump parts with any sharp or hard tools. Powder will build up in any scratches on the powder contact surfaces, causing impact fusion and pump clogging.

Recommended Cleaning Procedure

Nordson Corporation recommends using an ultrasonic cleaning machine and Oakite® BetaSolv emulsion cleaner to clean powder pumps.

1. Fill an ultrasonic cleaner with BetaSolv or an equivalent emulsion cleaning solution at room temperature. Do not heat the cleaning solution.
2. Disassemble the pump and remove the O-rings and air fittings. Blow off the pump parts.

NOTE: Do not allow the O-rings to come in contact with the cleaning solution. Do not immerse the air fittings in the solution.

3. Place the pump parts in the ultrasonic cleaner and run the cleaner until all parts are clean and free of impact fusion.
4. Rinse all parts in clean water and dry before re-assembling the pump. Inspect the O-rings and replace any that are damaged.

NOTE: The tip of the injector must be clean and undamaged. The injector directs the air flow directly into the center of the venturi throat. Any obstruction or damage to the injector will produce an off-center air stream that wears a non-uniform pattern in the throat and reduces its usable life.

Kit Parts

To order parts, call the Nordson Industrial Coating Systems Customer Support Center at (800) 433-9319 or contact your local Nordson representative.

Item	Part	Description	Quantity	Note
-	1100777	KIT, cup gun, Encore	1	
1	940156	• O-RING, silicone, 0.536 x 0.688 x 0.063 in.	2	
2	1100850	• ADAPTER, handgun, cup gun	1	
3	940142	• O-RING, silicone, 0.500 x 0.625 x 0.063 in.	1	
4	1102686	• PUMP, cup gun, inline, Encore, packaged	1	
5	1100851	• ADAPTER, pump, cup gun	1	
6	1100926	• LID, cup, modified, cup gun	1	
7	1100855	• NUT, hex, 1.00-8, nylon	1	
8	1100854	• TUBE, pick up, cup gun	1	
9	-----	• CUP, jar assembly, cup gun	1	
10	-----	• PLATE, fluidizing, cup gun	1	
11	900618	• TUBE, polyurethane, 8 mm OD, blue	AR	A
12	900619	• TUBE, polyurethane, 8 mm OD, black	AR	A

NOTE A: Six meters (20 ft) of each color is provided with each kit. Minimum order quantity is 15.25 meters (50 ft).

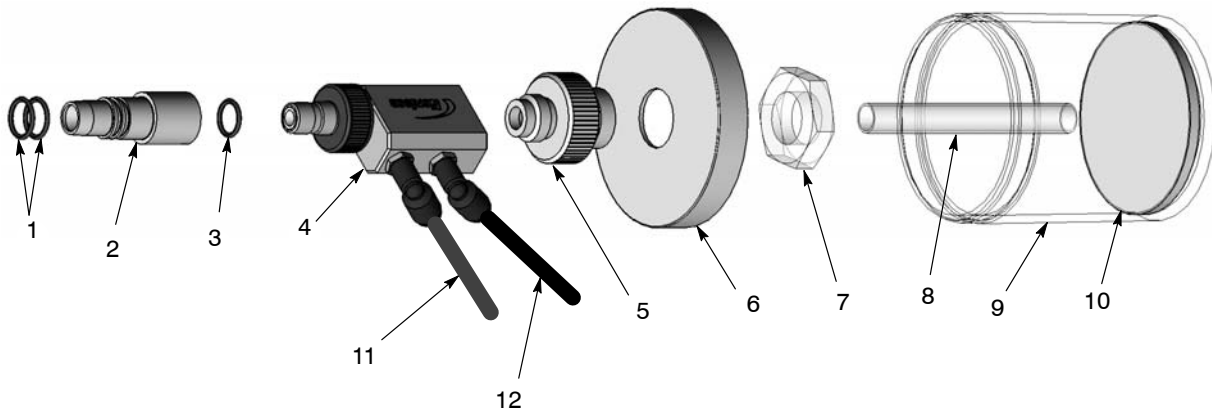


Figure 2 Cup Gun Assembly Parts

Pump Parts

Item	Part	Description	Quantity	Note
-	1102686	KIT, pump, inline, Encore, cup gun	1	
1	1095914	• NUT, pump, Encore Generation 2	1	
2	1095898	• HOLDER, pump throat, Encore Generation 2	1	
3	940147	• O-RING, silicone, conductive, 0.50 x 0.625 in.	4	
4	1095899	• THROAT, pump, Encore Generation 2, Tivar®	1	
5	1095915	• BODY, inline pump, Encore	1	
6	972276	• CONNECTOR, male, elbow, 8 mm tube x 1/8 in. unithread	2	
7	1600594	• INJECTOR, machined, inline pump, Encore, stainless steel	1	
8	1097913	TOOL, extraction, Encore inline pump	1	A

NOTE A: Optional part, must be ordered separately. Used to remove injector from pump.

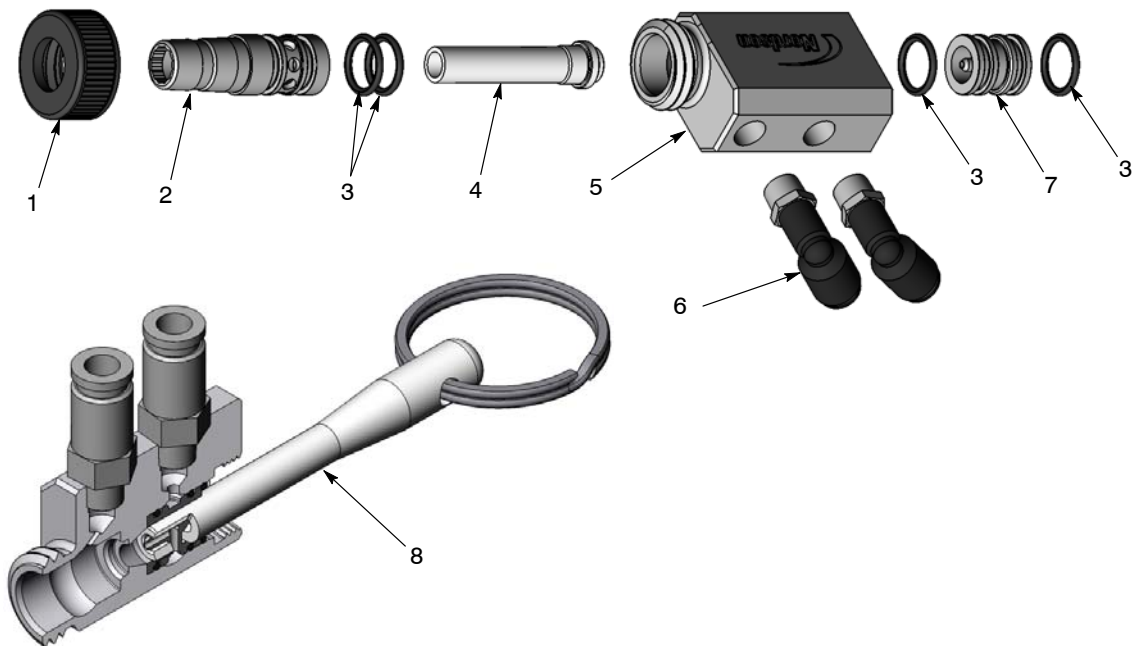


Figure 3 Pump Parts

Optional Spare Cup

Item	Part	Description	Quantity	Note
-	1100928	KIT, jar w/blank lid, cup gun	1	
1	1100853	<ul style="list-style-type: none">LID, blank, cup gun	1	
2	-----	<ul style="list-style-type: none">CUP, jar assembly, cup gun	1	
3	-----	<ul style="list-style-type: none">• PLATE, fluidizing, cup gun	1	

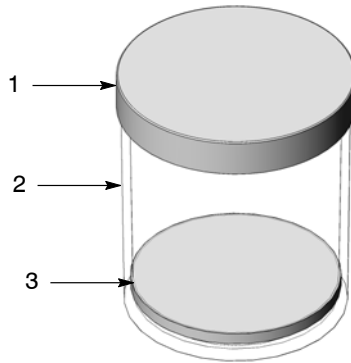


Figure 4 Spare Cup

Issued 10/11

Original copyright date 2010. Encore, Nordson, and the Nordson logo are registered trademarks of Nordson Corporation.

Tivar is a registered trademark of Poly Hi Solidur, Inc.